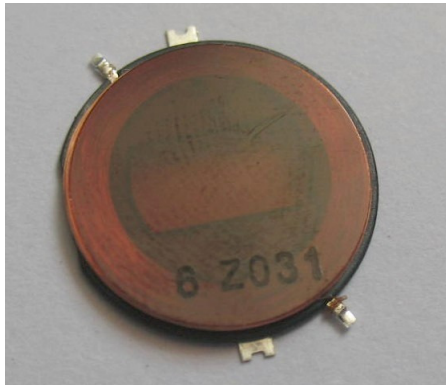


LF Receiver Antenna CAK15D14



Description

- LF receiver antenna for Z axis.
- Low profile.
- High Sensitivity and Reliability.
- D × H: $\Phi 15.0 \times 1.65$ mm Max.
- Product weight: 0.46g Ref..
- RoHS compliance.

Environmental Data

- Operating temperature range: $-40^{\circ}\text{C} \sim +85^{\circ}\text{C}$
- Storage temperature range: $-40^{\circ}\text{C} \sim +85^{\circ}\text{C}$

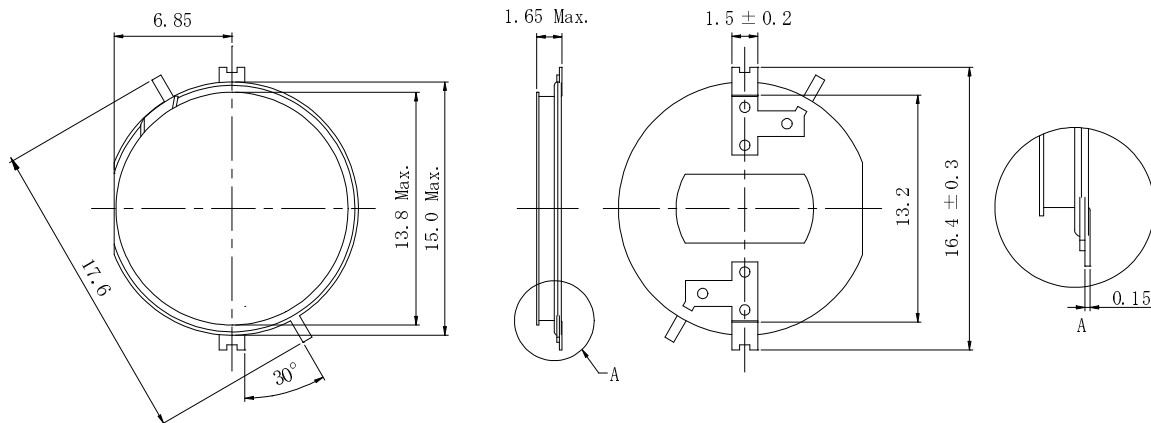
Packaging

- Carrier Tape and Reel.
- Tape specification according to EIA481.
- 1000pcs/reel.

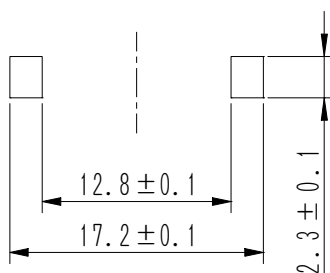
Applications

- PEPS, Smart key system.
- Security system.

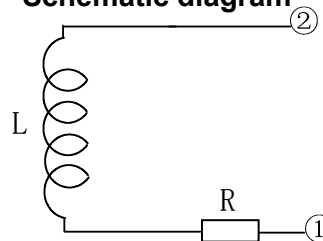
Dimension - [mm]



Suggest PCB layout - [mm]



Schematic diagram



L: Ferrite core coil inductance.
R: Copper resistance.

LF Receiver Antenna CAK15D14



Electrical Characteristics

Part No.	Inductance	Unload Q	SRF	Measuring conditions
CAK15D14-232	2.3mH \pm 5%	14 Typ.	Min. 1700kHz	125kHz, 1V
CAK15D14-62	6.0mH \pm 5%	13 Typ.	Min. 500kHz	125kHz, 1V

* It is possible for different inductance value.